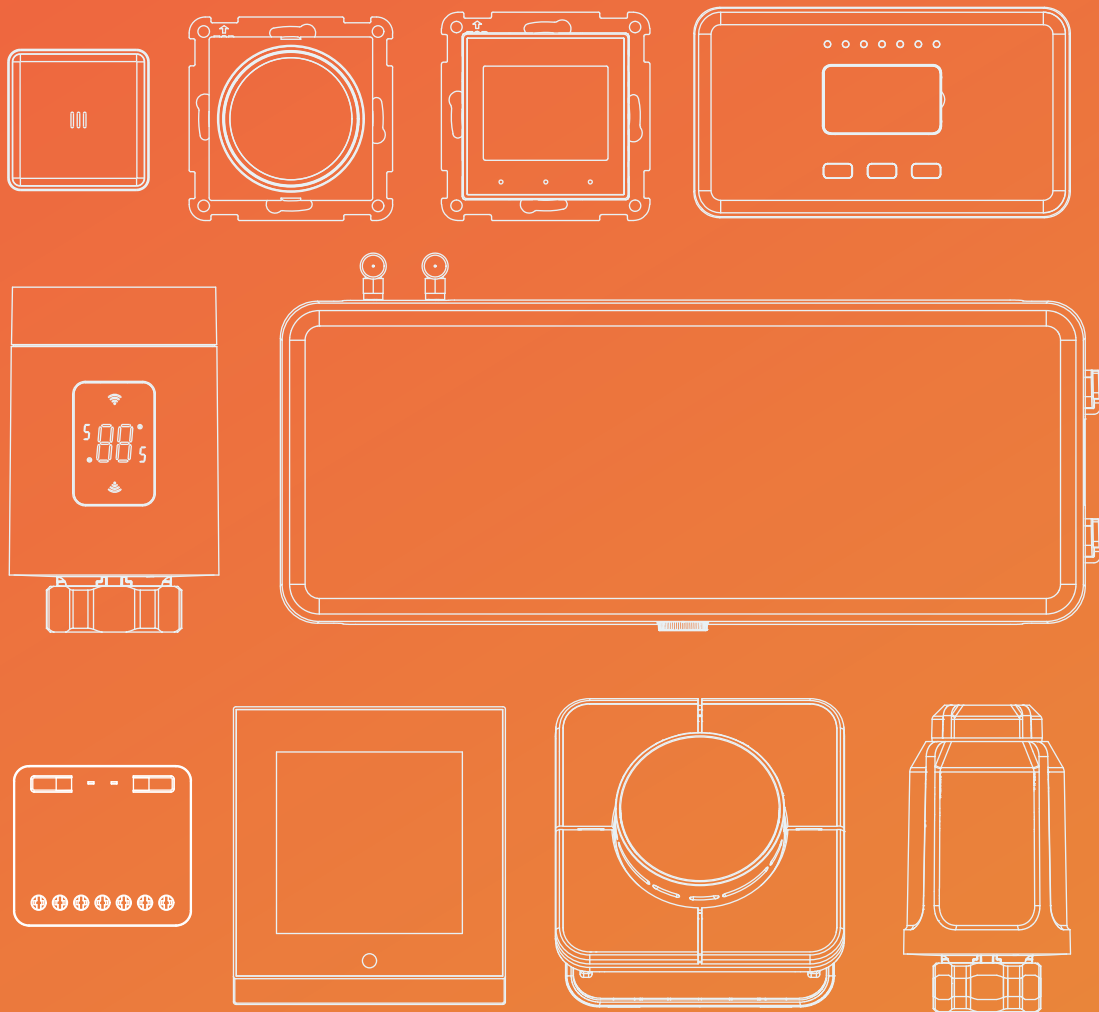


# SMART HEATING SOLUTIONS

## Catalog 2026





## The Benefits of Smart Thermostat

In the modern age of technology, smart devices are becoming increasingly popular for their convenience and energy-saving capabilities. One such device that is gaining attraction in Singaporean households is the smart thermostat.



### Cost Savings

By optimizing energy usage and reducing wasteful heating and cooling cycles, smart thermostats can lead to significant cost savings on your energy bills over time. Long-term savings often offset the initial investment in a smart thermostat.



### Energy Efficiency

Smart thermostats help you save money by making it easier to use less energy when your home is unoccupied or when everyone is asleep it offered an average savings of 10%-12% on home heating and 15% on home cooling.



### Remote Access

A smart thermostat works on smart platform and apps allow you to check the thermostat anywhere you have a data or Wi-Fi connection, and change the temperature if necessary.



### Integration with Smart Home Systems

Smart thermostats can integrate seamlessly with other smart home devices and systems, such as smart lighting and security systems. This integration enhances overall home automation and convenience, allowing you to control multiple aspects of your home from a single platform.



Zigbee is a standards-based wireless technology developed to enable low-cost, low-power wireless machine-to-machine (M2M) and Internet of things (IoT) networks.



Matter is the new symbol of connectivity. This industry-unifying standard has a promise of reliable, secure connectivity — a seal of approval that devices will work seamlessly together, today, and tomorrow.



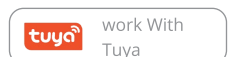
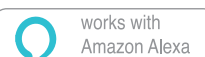
Wi-Fi is a wireless networking technology that allows devices such as computers (laptops and desktops), mobile devices (smart phones and wearables), and other equipment (printers and video cameras) to interface with the Internet.



Bluetooth is a wireless communication technology used for short-range data exchange between devices over radio waves. It allows smart home devices, and other electronics to connect and share data without needing physical cables.



Z-Wave is a wireless is a mesh network using low-energy radio waves to communicate from device to device, allowing for wireless control of smart home devices, such as smart lights, security systems, thermostats, sensors, smart door locks, and garage door openers



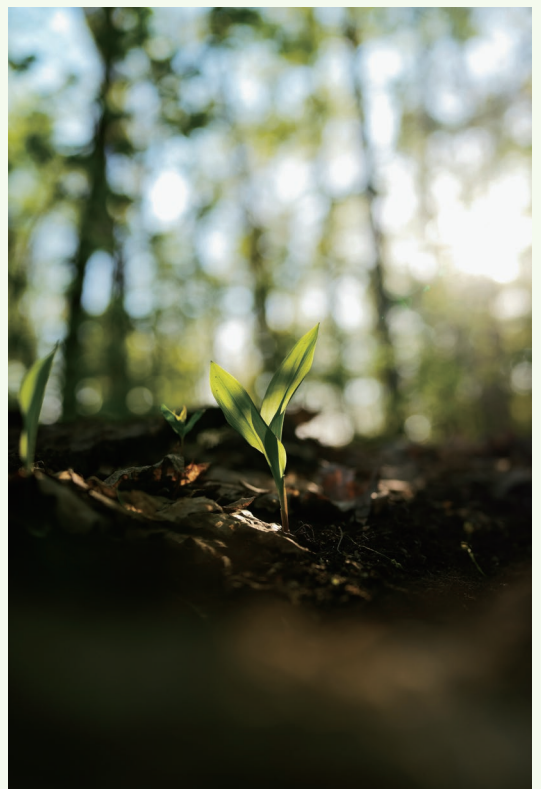
## Smart Heating for a Greener Future



Extensive research demonstrates the remarkable energy-saving potential of IoT-based smart heating systems. Residential buildings typically experience a 20% reduction in energy consumption

The substantial energy savings achieved by smart heating systems stem from their ability to adapt to daily and weekly patterns intelligently. Advanced features such as room-specific temperature adjustments, occupancy-based controls, and window open detection work in harmony to maximize efficiency without compromising comfort.

By embracing smart heating technology, we're not just creating more comfortable living and working spaces—we're actively contributing to a more sustainable and energy-efficient future. As we continue to face environmental challenges, smart heating stands out as a beacon of innovation, offering a path to reduce our carbon footprint without sacrificing comfort or convenience.



# CONTENT

## For Underfloor Heating

---



Room Thermostat

5



Radiator Thermostat

14



Dry Contact Relay

16



Central Wiring Center

18

## For Fan Coil

---



3 Speed

19

## For HVAC

---



24V

21

## Accessories

---

Bracket/Stand

23

Adaptors

24

Sensors

24

---

## Thermostats for underfloor heating

Eukaus consists of underfloor heating thermostats developed for simple, smooth and energy-efficient control of underfloor heating. All our underfloor heating kits include a thermostat, but they can also be bought separately.

Even if you already have underfloor heating, it might be worth thinking about replacing the thermostat with a modern model with an energy saving program. This is an investment that can soon pay for itself in lower energy consumption and improved comfort.



# Thermostats for underfloor heating

## 2 pol Electric Underfloor Heating 16A



### Description

#### Suitable for 2-pole systems

2-pole disconnection for enhanced safety

#### Power-off memory

Retains all settings after power loss.

#### Max. 16A output

Suitable for most electric heating applications.

#### Child lock

Prevents unintended operation.

#### Power regulation

Ensures efficient and stable temperature control.

#### Weekly programming

Flexible 7-day scheduling for better comfort and energy saving.

#### Anti-freeze function

Protects the system at low temperatures.

#### Compatible with Elko RS & Plus frames

Fits perfectly with Elko standard frames.

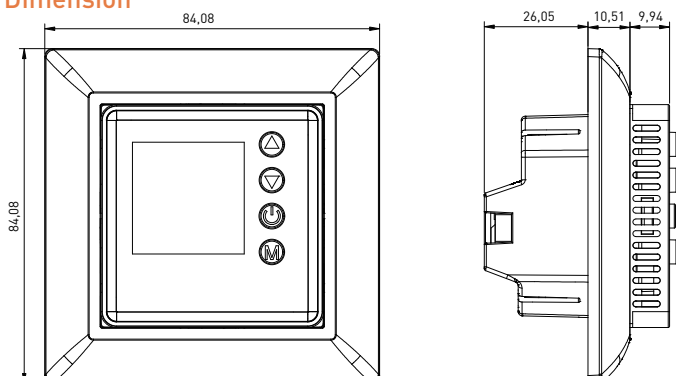
### Derivative product model

Item No.	T2
Radio	None

### Technical Data

Input Voltage	220-240V, 50Hz
Max. Load	3600W
Max. Current	16A
Switching Type	2 pol
Power Consumption	0W
Setpoint Range	5-40°C
Control Type	Heating cables, heating film
Support Sensor	Floor Sensor
Sensor Value Options	10k(default), 12k, 15k, 22k, 33k, 47k
Working Temperature	-10-60°C
Storage Temperature	-15-65°C
Screw Terminal	Max. 2.5mm <sup>2</sup> 2Nm
Accessory	3m 10K Floor Sensor
IP Code	IP 20
Size	84*84*26.05mm
Color	RAL9010 (glossy), RAL9005 (Matt)
Display Type	7 Segment BTN display

### Dimension



# Thermostats for underfloor heating

## 1 pol Electric Underfloor Heating 16A



### Description

#### Smart control remotely

Easily control your device anytime, anywhere via mobile app.

#### Power-off memory

Retains all settings after power loss.

#### Max. 16A output

Suitable for most electric heating applications.

#### Child lock

Prevents unintended operation.

#### Power regulation

Ensures efficient and stable temperature control.

#### Weekly programming

Flexible 7-day scheduling for better comfort and energy saving.

#### Anti-freeze function

Protects the system at low temperatures.

#### Open window detection

Automatically detects sudden temperature drops and pauses heating to save energy.

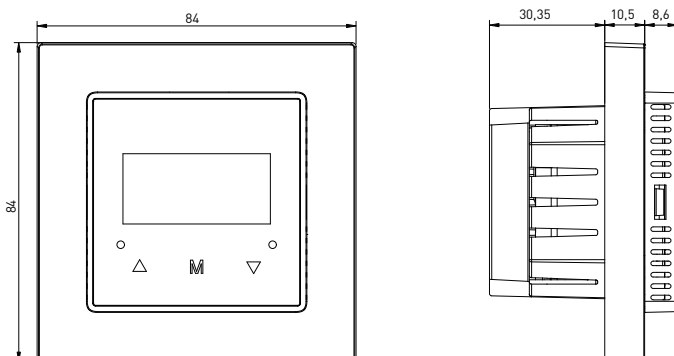
### Derivative product model

Item No.	T5E	T5E-TYZG	T5E-ZV	T5E-TYWF
Radio	None	Tuya Zigbee	Z-Wave 700	Tuya WiFi

### Technical Data

Input Voltage	220-240V, 50Hz
Max. Load	3600W
Max. Current	16A
Switching Type	1 pol
Power Consumption	<1.5 W
Setpoint Range	5-40°C
Control Type	Heating cables, heating film
Support Sensor	Floor Sensor & External Sensor
Sensor Value Options	10k(default), 12k, 15k, 22k, 33k, 47k
Working Temperature	-10-60°C
Storage Temperature	-15-65°C
Screw Terminal	Max. 2.5mm <sup>2</sup> 2Nm
Accessory	3m 10K Floor Sensor
IP Code	IP 20
Size	84*84*30.35mm
Color	RAL9010 (glossy), RAL9005 (Matt)
Display Type	7 Segment BTN display

### Dimension



# Thermostats for underfloor heating

## 1 pol smart thermostat 16A



### Description

#### Smart control remotely

Easily control your device anytime, anywhere via mobile app.

#### Power-off memory

Retains all settings after power loss.

#### Max. 16A output

Suitable for most electric heating applications.

#### Child lock

Prevents unintended operation.

#### Power regulation

Ensures efficient and stable temperature control.

#### Weekly programming

Flexible 7-day scheduling for better comfort and energy saving.

#### Anti-freeze function

Protects the system at low temperatures.

#### Open window detection

Automatically detects sudden temperature drops and pauses heating to save energy.

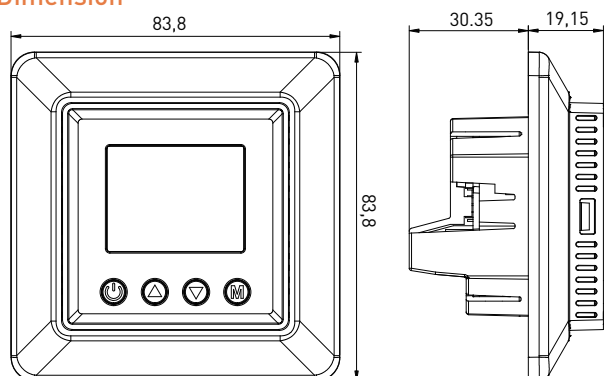
### Derivative product model

Item No.	T7E	T7E-TYZG	T7E-ZV	T7E-TYWF
Radio	None	Tuya Zigbee	Z-Wave 700	Tuya WiFi

### Technical Data

Input Voltage	220-240V, 50Hz
Max. Load	3600W
Max. Current	16A
Switching Type	1 pol
Power Consumption	<1.5 W
Setpoint Range	5-40°C
Control Type	Heating cables, heating film
Support Sensor	Floor Sensor & External Sensor
Sensor Value Options	10k(default), 12k, 15k, 22k, 33k, 47k
Working Temperature	-10-60°C
Storage Temperature	-15-65°C
Screw Terminal	Max. 2.5mm <sup>2</sup> 2Nm
Accessory	3m 10K Floor Sensor
IP Code	IP 20
Size	83.8*83.8*30.35mm
Color	RAL9010 (glossy), RAL9005 (Matt)
Display Type	7 Segment BTN display

### Dimension



# Thermostats for underfloor heating

## 1Pol Smart Thermostat 16A



### Description

#### Supports electric and hydronic underfloor heating

Compatible with both electric and water-based underfloor heating systems.

#### Open window detection

Automatically detects open windows and pauses heating to reduce energy waste.

#### Heating and cooling support

Supports both heating and cooling modes for year-round comfort.

#### 55×55 frame compatibility

Designed to fit standard 55×55 frames for easy installation and integration.

#### Energy-saving operation

Optimized control logic helps reduce energy consumption while maintaining comfort.

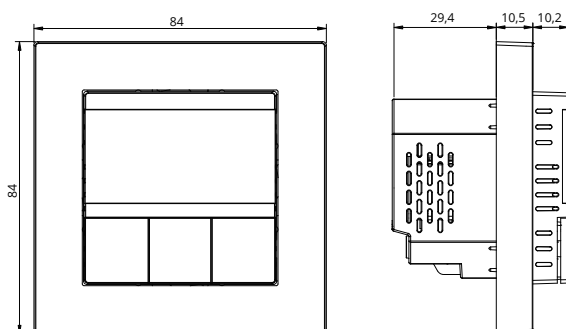
### Derivative product model

Item No.	T10-TYWF	T10-TYZG
Radio	Tuya Wifi	Tuya Zigbee

### Technical Data

Input Voltage	220-240V, 50Hz
Max. Load	3600W
Max. Current	16A
Switching Type	1 pol
Power Consumption	<1.5 W
Setpoint Range	5-40°C
Control Type	Heating cables, heating film, waterbase heating
Support Sensor	Floor Sensor & External Sensor
Sensor Value Options	10k(default), 12k, 15k, 22k, 33k, 47k
Working Temperature	-10-60°C
Storage Temperature	-15-65°C
Screw Terminal	Max. 2.5mm <sup>2</sup> 2Nm
Accessory	3m 10K Floor Sensor
IP Code	IP 20
Size	84*84*27mm
Color	RAL9003(glossy), RAL9010 (glossy), RAL9005 (Matt)
Display Type	14 Segment BTN display

### Dimension



Unit: mm

# Thermostats for underfloor heating

## 1 Pol Smart Heating 16A



### Description

#### Supports electric and hydronic underfloor heating

Compatible with both electric and water-based underfloor heating systems.

#### Open window detection

Automatically detects open windows and pauses heating to reduce energy waste.

#### Heating and cooling support

Supports both heating and cooling modes for year-round comfort.

#### 55×55 frame compatibility

Designed to fit standard 55×55 frames for easy installation and integration.

#### Energy-saving operation

Optimized control logic helps reduce energy consumption while maintaining comfort.

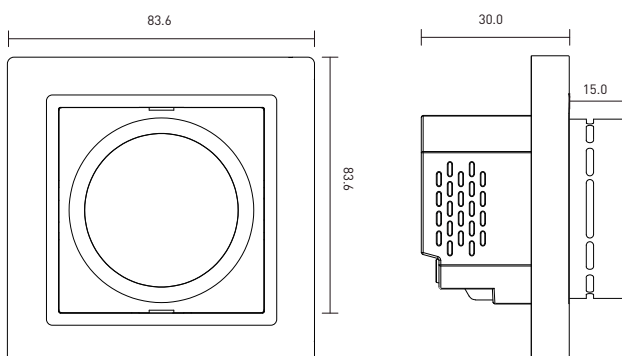
### Derivative product model

Item No.	T11-ZG	T11-TYWF
Radio	Zigbee 3.0	Tuya Wifi

### Technical Data

Input Voltage	220-240V, 50Hz
Max. Load	3600W
Max. Current	16A
Switching Type	1 pol
Power Consumption	<1.5 W
Setpoint Range	5-40°C
Control Type	Heating cables, heating film, waterbase heating
Support Sensor	Floor Sensor & External Sensor
Sensor Value Options	10k(default), 12k, 15k, 22k, 33k, 47k
Working Temperature	-10-60°C
Storage Temperature	-15-65°C
Screw Terminal	Max. 2.5mm <sup>2</sup> 2Nm
Accessory	3m 10K Floor Sensor
IP Code	IP 20
Size	84*84*27mm
Color	RAL9003(glossy), RAL9010 (glossy), RAL9005 (Matt)
Display Type	1.28" TFT display

### Dimension



# Thermostats for underfloor heating

## 1 pol Electric Underfloor Heating 16A



### Description

#### Weekly programming

Supports customizable weekly schedules for automatic temperature control.

#### Built-in temperature and humidity sensor

Equipped with integrated sensors for accurate environmental monitoring.

#### Multiple modes support

Offers various modes such as heating, cooling, and auto for flexible operation.

#### Snooze function

Temporarily overrides the schedule to maintain comfort when needed.

#### 55×55 frame compatibility

Designed to fit standard 55×55 frames for easy installation and integration.

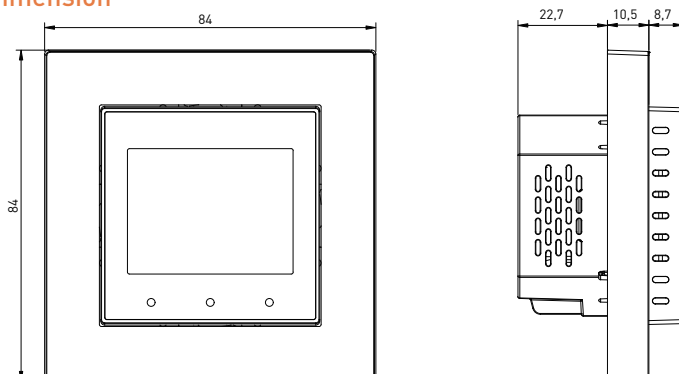
### Derivative product model

Item No.	T500-BT	T500-GB
Radio	Bluetooth	Zigbee+Bluetooth

### Technical Data

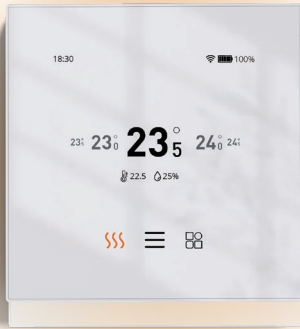
Input Voltage	220-240V, 50Hz
Max. Load	3600W
Max. Current	16A
Switching Type	1 pol
Power Consumption	<1 W
Setpoint Range	5-40°C
Control Type	Heating cables, heating film
Support Sensor	Floor Sensor & External Sensor
Sensor Value Options	10k(default), 12k, 15k, 22k, 33k, 47k
Working Temperature	-10-60°C
Storage Temperature	-15-65°C
Screw Terminal	Max. 2.5mm <sup>2</sup> 2Nm
Accessory	3m 10K Floor Sensor
IP Code	IP 20
Size	84*84*22.7mm
Color	RAL9010 (Matt), RAL9003(Matt), RAL9005 (Matt)
Display Type	2" TFT display

### Dimension



# Thermostats for underfloor heating

## 1 pol Smart Thermostat 16A



### Description

#### 3.95-inch 720×720 HD color display

Features a high-resolution 3.95-inch color screen for clear and vivid visuals.

#### Elegant design

Designed with a sleek and modern appearance to complement any interior.

#### Device status indicator

Provides clear visual indication of the device's operating status.

#### Fingerprint-resistant coating

Surface coating reduces fingerprints and keeps the display clean.

#### Built-in proximity sensor

Automatically activates the screen when a user approaches for intuitive interaction.

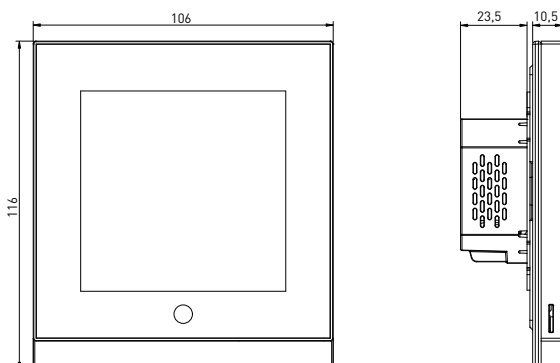
### Derivative product model

Item No.	T005H-GB
Radio	Zigbee+Bluetooth

### Technical Data

Input Voltage	220-240V, 50Hz
Max. Load	3600W
Max. Current	16A
Switching Type	1 pol
Power Consumption	<1.5 W
Setpoint Range	5-40°C
Control Type	Heating cables, heating film
Support Sensor	Floor Sensor & External Sensor
Sensor Value Options	10k(default), 12k, 15k, 22k, 33k, 47k
Working Temperature	-10-60°C
Storage Temperature	-15-65°C
Screw Terminal	Max. 2.5mm <sup>2</sup> 2Nm
Accessory	3m 10K Floor Sensor
IP Code	IP 20
Size	106*116*23.5mm
Color	RAL9003 (matt), RAL9005 (Matt)
Display Type	3.95" TFT display

### Dimension



# Thermostats for underfloor heating

## Wirless Zone Control Thermostat



### Description

#### Multi-zone control support

Enables control of multiple zones for enhanced comfort and flexibility.

#### Domestic hot water support

Supports control of domestic hot water systems for added convenience.

#### Boost heating

Provides a temporary boost to quickly reach the desired temperature.

#### OTA updates

Supports over-the-air updates for easy firmware upgrades.

#### Anti-freeze protection

Automatically prevents the system from freezing at low temperatures.

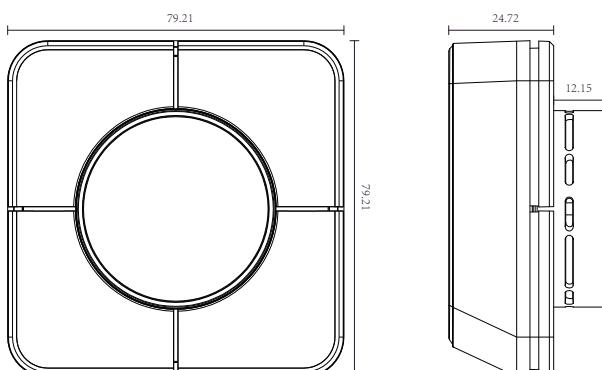
### Derivative product model

Item No.	T002D-RF
Radio	RF868

### Technical Data

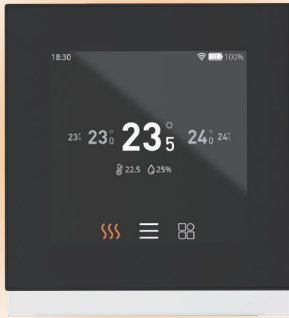
Input	AA Battery
Communication Range	100m outdoor, 30m indoor
Battery Life	8 Month
Switching Type	N/A
Power Consumption	<1W
Setpoint Range	5-40°C
Control Type	Boiler, Relay, Acuator
Support Sensor	External rf sensor
Sensor Value Options	10k
Working Temperature	-10-60°C
Storage Temperature	-15-65°C
Mounting	Wall mount / table stand
Accessory	Wall mount bracket (in the packge), Table stand (options)
IP Code	IP 20
Size	79.21*79.21*36.87mm
Color	RAL9003 (matt), RAL9005 (matt)
Display Type	1.28' TFT display

### Dimension



# Thermostats for underfloor heating

## Wireless thermostat



### Description

#### 3.95-inch 720×720 HD color display

Features a high-resolution 3.95-inch color screen for clear and vivid visuals.

#### Elegant design

Designed with a sleek and modern appearance to complement any interior.

#### Device status indicator

Provides clear visual indication of the device's operating status.

#### Fingerprint-resistant coating

Surface coating reduces fingerprints and keeps the display clean.

#### Built-in proximity sensor

Automatically activates the screen when a user approaches for intuitive interaction.

#### Built-in lithium battery

Equipped with an integrated lithium battery for reliable backup power and uninterrupted operation.

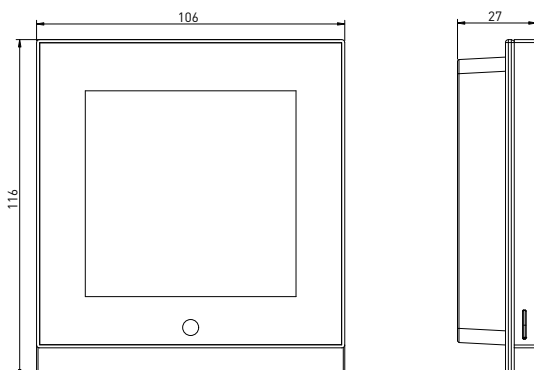
### Derivative product model

Item No.	T005B-GB
Radio	Zigbee+Bluetooth

### Technical Data

Input Voltage	DC 3.8V
Max. Load	3600W
Max. Current	3A
Switching Type	1 pol
Power Consumption	<1.5W
Setpoint Range	5-40°C
Control Type	Boiler, Actuator
Support Sensor	External sensor
Sensor Value Options	10k
Working Temperature	-10-60°C
Storage Temperature	-15-65°C
Screw Terminal	Max. 2.5mm <sup>2</sup> 2Nm
Accessory	N/A
IP Code	IP 20
Size	106*116*27mm
Color	RAL9003 (matt), RAL9005 (Matt)
Display Type	3.95" TFT display

### Dimension



# Thermostats for underfloor heating

## Radiator Valve thermostat



### Description

#### Silent motor

Equipped with a low-noise motor for quiet and smooth operation.

#### Low power consumption

Designed for energy-efficient operation with minimal power usage.

#### 4-direction rotatable display

Supports 4-direction screen rotation for flexible installation and viewing.

#### Matrix dot display

Features a clear matrix dot display for intuitive information presentation.

#### Anti-scale function

Reduces limescale buildup to ensure long-term stable performance.

#### LED-lit rotary knob ring

Features an LED light ring around the rotary knob for clear status indication and enhanced user interaction.

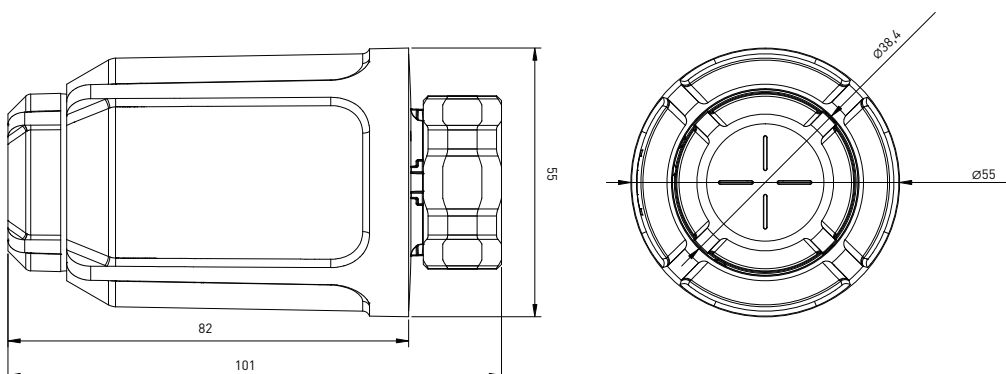
### Derivative product model

Item No.	TR1-RF	TR1-ZG
Radio	RF868MHz	Zigbee 3.0

### Technical Data

Input Connection	2x AA Battery
Install Direction	M30*1.5
Switching Type	Horizontal & vertical
Power Consumption	Normal open, normal close
Setpoint Range	<0,6 W
Display Temp. Range	5-40°C
Accuracy	0-60°C
Accessory	+/- 0.5°C
Working Temperature	M30*1.5, M28, RTD-N, RA Valve adapter
Storage Temperature	-5-40°C
Connect part	-10-55°C
Hysteresis	Alumium
IP Code	0.5-10°C adjustable
Size	IP 20
Color	101*55mm
Display Type	RAL9003
	Dot Matrix

### Dimension



# Thermostats for underfloor heating

## Radiator Valve thermostat



### Description

#### Silent motor

Equipped with a low-noise motor for quiet and smooth operation.

#### Low power consumption

Designed for energy-efficient operation with minimal power usage.

#### 2-direction rotatable display

Supports 2-direction screen rotation for flexible installation and viewing.

#### Matrix dot display

Features a clear matrix dot display for intuitive information presentation.

#### Anti-scale function

Reduces limescale buildup to ensure long-term stable performance.

#### LED-lit rotary knob ring

Features an LED light ring around the rotary knob for clear status indication and enhanced user interaction.

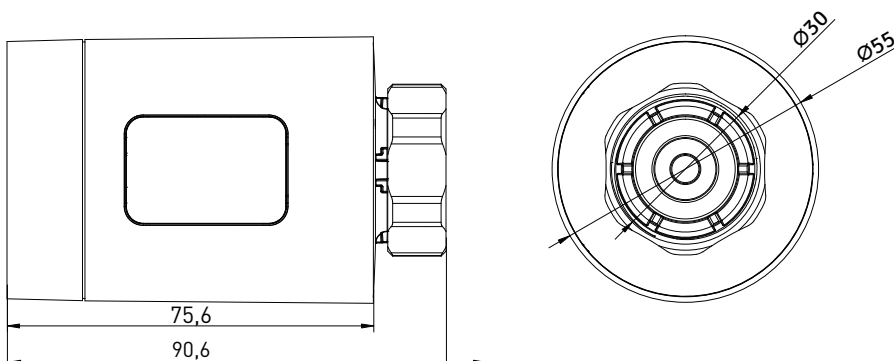
### Derivative product model

Item No.	T000R-RF	T000R-ZG
Radio	RF868MHz	Zigbee 3.0

### Technical Data

Input Voltage	2x AA Battery
Max. Load	M30*1.5
Max. Current	Vertical
Switching Type	Normal open, normal close
Power Consumption	<0,6 W
Setpoint Range	5-40°C
Control Type	0-60°C
Support Sensor	+/- 0.5°C
Sensor Value Options	M30*1.5, M28, RTD-N, RA Valve adapter
Working Temperature	-5-40°C
Storage Temperature	-10-55°C
Screw Terminal	Alumium
Accessory	0.5-10°C adjustable
IP Code	IP 20
Size	101*55mm
Color	RAL9003
Display Type	7 Segment

### Dimension



# Thermostats for underfloor heating

## Dry Contact Relay



### Description

#### Dry contact output

Provides volt-free contact output for flexible integration with various control systems.

#### Wide compatibility

Compatible with boilers, HVAC systems, and other low-voltage control applications.

#### Flexible control modes

Supports manual, scheduled, and remote control for versatile operation.

#### Supports 12V and 220V control

Compatible with both 12V and 220V systems for flexible application across different scenarios.

#### OTA updates

Supports over-the-air updates for easy firmware upgrades.

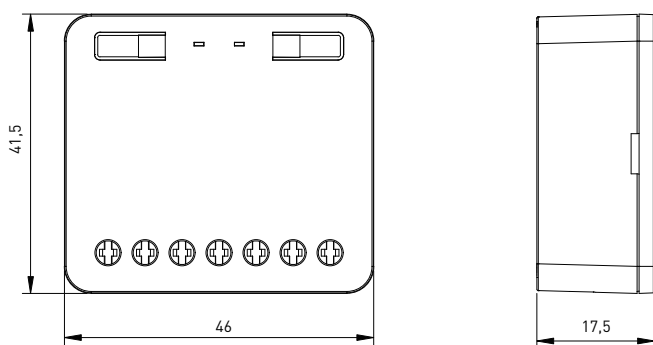
### Derivative product model

Item No.	S767-GB
Radio	Zigbee+Bluetooth

### Technical Data

Input Voltage	220-240V, 50Hz / DC12V
Max. Load	2000W
Switching capability	10A
Power Consumption	≤0.5W
Working Temperature	-5-40°C
Storage Temperature	-15-60°C
Screw Terminal	Max. 2.5mm <sup>2</sup> 2Nm
IP Code	IP 20
Size	41.5*46*17.5mm
Color	RAL9003 (matt)

### Dimension



# Thermostats for underfloor heating

## Multifunction Zone Control thermostat



### Description

#### Anti-scale function

Prevents limescale buildup to ensure long-term reliable operation.

#### Weekly programming

Allows flexible weekly scheduling for improved comfort and energy efficiency.

#### Open window detection

Automatically detects open windows and pauses heating to reduce energy waste.

#### Child lock

Prevents unintended operation for enhanced safety.

#### Water/electric heating switching

Supports switching between water-based and electric heating systems.

#### Eco function

Reduces energy consumption while maintaining a comfortable environment.

#### Resettable OT & OC protection

Provides resettable over-temperature and over-current protection for enhanced safety.

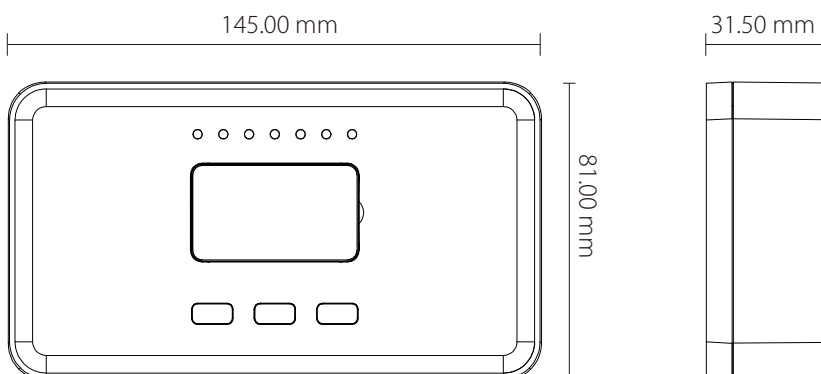
### Derivative product model

Item No.	T003B-RF
Radio	RF868 MHz

### Technical Data

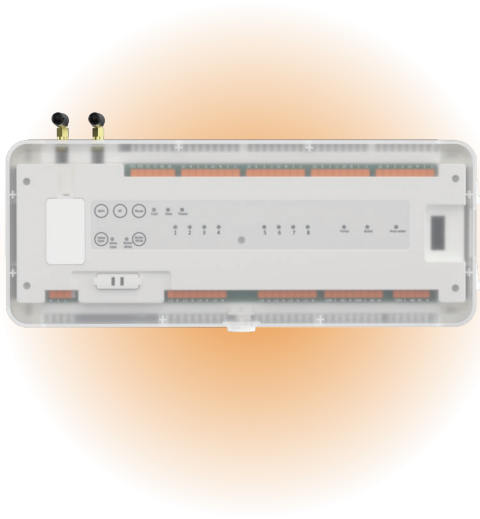
Input Voltage	95-240V, 50/60Hz
Max. Current	5A
Power Consumption	<0.5W
Control Type	Boiler, Heat pump, Zone Valve
Support Sensor	External Sensor
Sensor Value Options	10k
Working Temperature	-10-60°C
Storage Temperature	-15-65°C
Screw Terminal	Max. 2.5mm <sup>2</sup> 2Nm
IP Code	IP 20
Size	145*81*31.50mm
Color	RAL9003 (Matt), RAL9005 (Matt)

### Dimension



# Thermostats for underfloor heating

## 8 Zone Central Control Wiring Center



### Description

#### 8-zone control

Supports independent control of up to 8 heating zones for flexible system management.

#### Weekly programming

Enables customizable weekly schedules to optimize comfort and energy efficiency.

#### Built-in thermostat

Features an integrated thermostat for direct and convenient temperature control.

#### Supports 24V/220V actuators

Compatible with both 24V and 220V actuators for versatile system integration.

#### Expandable

Allows system expansion to accommodate additional zones and devices as needed.

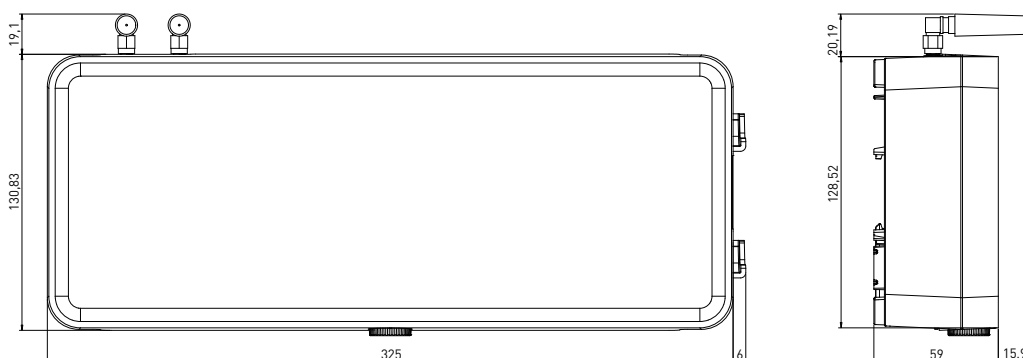
### Derivative product model

Item No.	T004Z-RF	T004Z-ZG
Radio	RF 868MHz	Zigbee 3.0

### Technical Data

Input Voltage	220-240V, 50Hz, (with transformer to supply 24V input for actuator)
Max. Load	Boiler/Hot water 3A, Actuator / Pump 5A
Compatible Thermostat	Normal Open thermostat
Compatible Actuator	24V/220V NC actuator
Power Consumption	<1.5W
Setpoint Range	5-40°C
Control Type	Hydronic system
Support Sensor	External Sensor
Sensor Value Options	10k(default)
Working Temperature	-10-60°C
Storage Temperature	-15-65°C
Screw Terminal	Screw-mount antenna
Accessory	N/A
IP Code	IP 20
Size	325*130.83*59mm
Color	White (RAL9003 matt), Black (RAL9005 glossy)
Display Type	N/A

### Dimension



---

## Thermostats for Fan coil

Designed for precise and efficient control of fan coil units, these thermostats provide reliable management of both temperature and airflow. With 3-speed fan control (low, medium, high) and integrated heating and cooling control, they ensure optimal comfort in residential and light commercial environments.

Engineered for compatibility with standard 2-pipe and 4-pipe systems, the thermostats offer flexible installation and stable performance. Combining intuitive operation with energy-efficient control, they deliver a smart and practical solution for modern HVAC applications.



# Thermostats for Fan Coil

## 3 Speed Fan Coil Thermostat



### Description

#### 3-speed fan control

Supports low, medium, and high fan speed settings for flexible airflow control.

#### Heating and cooling modes

Provides both heating and cooling control for year-round comfort.

#### 2-pipe and 4-pipe compatibility

Compatible with both 2-pipe and 4-pipe fan coil systems.

#### Precise temperature control

Ensures accurate temperature regulation for improved comfort and efficiency.

#### Weekly programming

Enables customizable schedules to optimize energy usage.

#### Manual and auto modes

Supports both manual operation and automatic temperature control.

#### Valve control output

Controls water valves for efficient heating and cooling management.

#### Energy-saving operation

Optimizes system performance to reduce energy consumption.

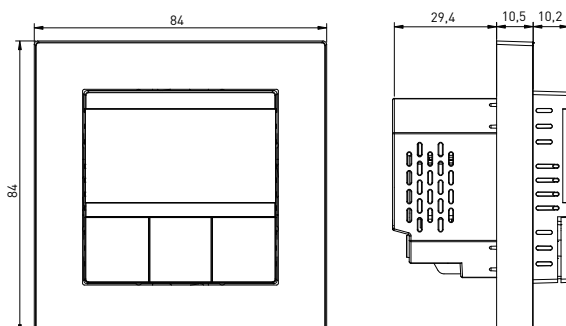
### Derivative product model

Item No.	T10F-TYWF
Radio	Tuya Wifi

### Technical Data

Input Voltage	220-240V, 50Hz
Max. Load	3A for Heating/Cooling, 5A for 3 speed fan
Fan Coil System	2-pipe / 4-pipe
Mounting	Inwall mounting
Power Consumption	<1.5W
Setpoint Range	5-40°C
Control Type	Heating cables, heating film
Support Sensor	N/A
Sensor Value Options	N/A
Working Temperature	5-40°C
Storage Temperature	-20-70°C
Screw Terminal	Max. 2.5mm <sup>2</sup> 2Nm
Accessory	N/A
IP Code	IP 21
Size	84*84*29.4mm
Color	RAL9003(glossy), RAL9010 (glossy), RAL9005 (matt)
Display Type	14 Segment BTN display

### Dimension



---

## Thermostats for HVAC

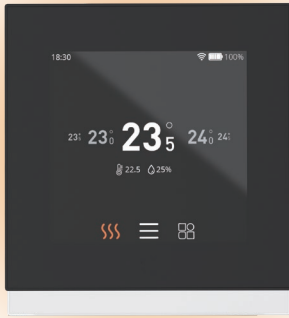
Designed for North American 24V HVAC systems, these thermostats provide reliable and precise control for a wide range of applications, including furnaces, heat pumps, and air conditioning systems. Supporting standard 24V control signals, they ensure seamless integration with existing residential and light commercial HVAC infrastructures.

With advanced temperature management, flexible scheduling, and user-friendly operation, the thermostats deliver enhanced comfort and energy efficiency. Engineered for stability and compatibility, they offer a smart and dependable solution for modern HVAC control.



# Thermostats for HVAC

## 24V HVAC thermostat for US



### Description

#### 3 heating stages and 2 cooling stages

Supports 3-stage heating and 2-stage cooling for precise and efficient temperature control.

#### Programmable

Offers flexible scheduling to automatically adjust temperature based on your daily routine.

#### Adaptive function

Learns and adjusts to achieve the desired temperature at the right time for optimal comfort.

#### clarity.

#### Haptic feedback sound

Provides audible feedback for every interaction, enhancing user experience and operation

#### Proximity sensor

Activates the display when a user approaches for a more intuitive and energy-efficient interaction.

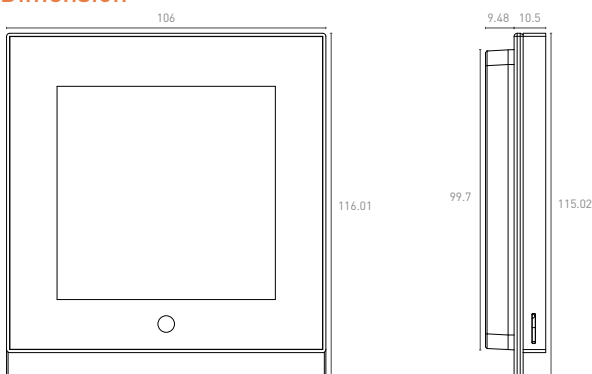
### Derivative product model

Item No.	T005V-GB
Radio	Zigbee+Bluetooth

### Technical Data

Input Voltage	24V
Max. Load	1A
Max. Current	3.5A
Control Object	Standard HVAC system
Power Consumption	<1.5W
Setpoint Range (Heating)	40-90°F
Setpoint Range (Cooling)	50-99°F
Support Sensor	Internal sensor, external sensor
Battery	Lithium battery 3000mAh
Working Temperature	32-104°F
Storage Temperature	5-149°F
Mounting	On wall mounting
Accessory	External temperature sensor
IP Code	IP 20
Size	106*116*19.98mm
Color	RAL9003(Matt), RAL9005 (Matt)
Display Type	3.95" TFT display

### Dimension



---

## Thermostats Accessories

A complete heating control solution relies not only on thermostats but also on a range of supporting accessories that ensure seamless operation and enhanced system performance. Our range of accessories is designed to complement and enhance the functionality of heating control systems. The portfolio includes decorative frames, metal mounting plates compatible with Italian wall boxes, TRV interface accessories, as well as temperature sensors and extension sensor cables.

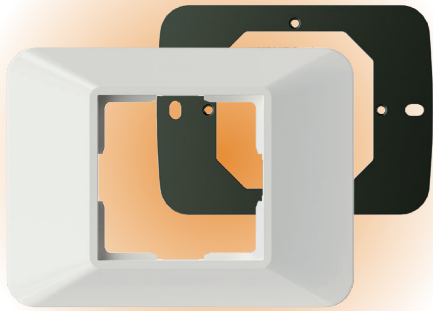
These components ensure flexible installation, improved system compatibility, and reliable performance across different applications. With a focus on practicality and seamless integration, they provide the essential support needed to complete a smart and efficient heating control solution.



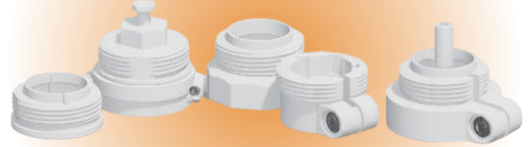
Wall Mounted Adapter for T002D



Table Stand Adapter for T002D



Metal Adapter and frame for Italian wallbox



Adapter for the TRVs



External Temperature & Humidity Sensor

RF (TR1-S) / Zigbee (S903TH-ZH)  
1x CR2450  
45\*45\*17.1mm  
10k



Floor Sensor

3m, 10k

A PARTNER FOR SMART SOLUTIONS YOU CAN TRUST

**EUKAUS**

**Shenzhen Shyugj Technology Co., Ltd.**

SHENZHEN | HUIZHOU | QUANZHOU | XIAMEN | FUZHOU

Headquater:

Floors 1-5, Shiyu Technology Park  
South of Louxia Archway, Longxi Community  
Longgang Street, Longgang District  
Shenzhen, China

[www.eukaus.com](http://www.eukaus.com)  
[info@eukaus.com](mailto:info@eukaus.com)  
+86-755-89303050

